

T7340 (308T) Triplex Plunger Pump

Specifications

Pump Size:

maximum plunger size x stroke length, in.(mm)
5.750 x 7.125 (146.05 x 180.98)

Rated BPH (kW) at 265 RPM: 308 (230)

Rated plunger load, pounds (kg): 19400(8800)

Maximum discharge pressure: psi (kPa)

"XL" model: 1220 (8410)

"L" model: 2169 (14952)

"M" model: 3600 (24821)

"H" model: 6170 (42542)

Crankshaft extension:

Diameter, in.(mm): 5.500 (139.7)

Length, in.(mm): 12.125 (308.0)

Keyway width x depth, in.(mm):

1-1/4 x 5/8 (31.8 x 15.9)

Maximum recommended sheave diameter,
in.(mm): 71 (1803.4)

For larger sizes: **Contact Factory**

Accessory gear reduction unit: N/A

Oil Capacity, gallons (L)

Crankcase: 19 (71.92)

Weight, pump only on

wood shipping skids, pounds (kg): 6013 (2727)

Weight varies with pump model

Standard Materials for Fluid Ends:

"XL" model

Cast Duplex Stainless Steel

Cast Carbon Steel

"L" model

Cast Duplex Stainless Steel

Cast Nickel-Aluminum-Bronze

Billet/Forged Carbon Steel

"M" model

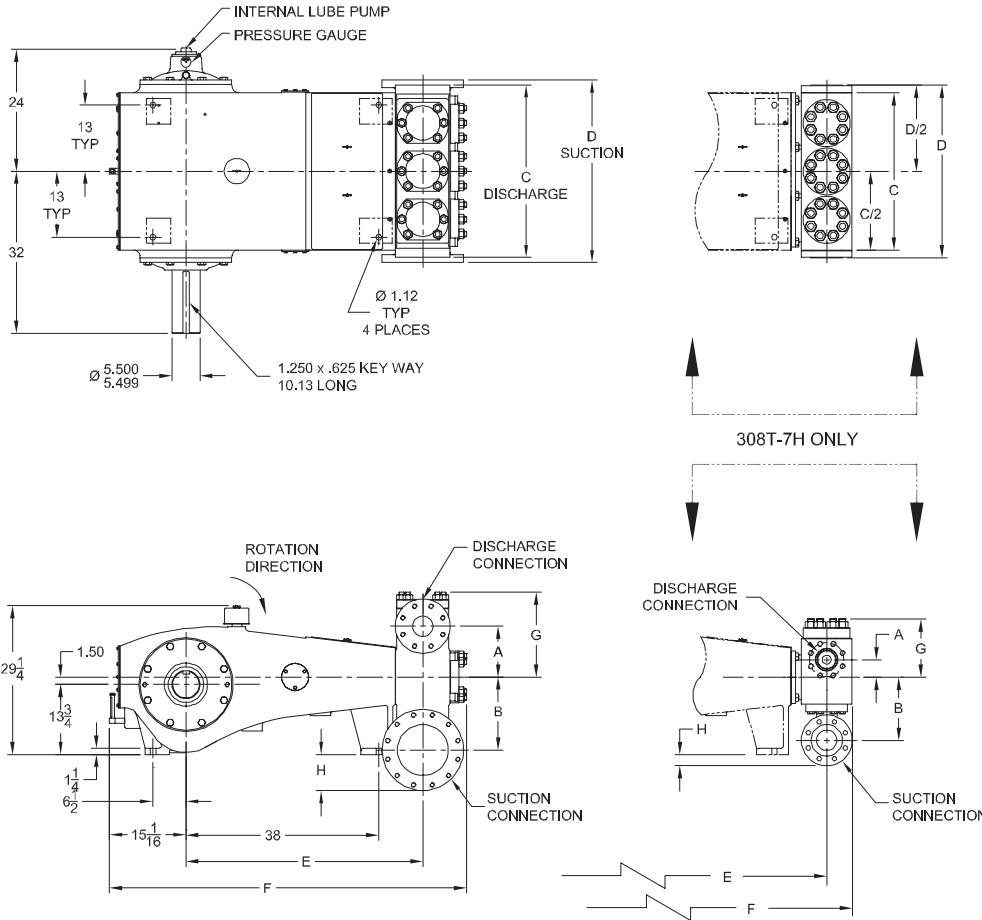
Cast Duplex Stainless Steel

Cast Nickel-Aluminum-Bronze

Forged/Plate Carbon Steel

"H" model

Forged Stainless Steel



Pump Model	Flange Connections		Dimensions (Inches)							
	Discharge Connection Sizes	Suction Connection Sizes	A	B	C	D	E	F	G	H
308T-7XL	4 (101.6)-ANSI 600 FF	10 (254.0)-ANSI 150 FF	10	14 3/8	34	36	46 5/8	70 5/16	16 11/16	7 1/8
308T-7L	4 (101.6)-ANSI 900 FF	6 (152.4)-ANSI 150 FF	8 1/4	11 1/8	33	33	46 3/4	71 1/8	15 3/16	1 3/8
308T-7M	2.5 (63.5)-ANSI 1500 FF	4 (101.6)-ANSI 300 FF	6 7/8	8 3/4	33	33	46 3/4	71 1/2	13 9/16	-1 1/2
308T-7H	2 (50.8)-ANSI 2500 RTJ	4 (101.6)-ANSI 300 RF	3 7/16	12 7/16	31	34	48 5/16	68 3/8	11 7/16	2 3/16

IEQ Industries

P.O BOX 123 * ADA, * MI 49301 * USA
PHONE 800.544.9053 * FAX 888.796.2653 *
email: info@gaso.com
On the Web at www.gaso.com

NATIONAL OILWELL VARCO

T7340 (308T) Triplex Plunger Pump

Performance Data

PUMP	English Units					100 * RPM		133 RPM		166 RPM		199 RPM		232 RPM		265 RPM	
	Plunger Dia. In.	Plunger Area Sq. In.	BPD per RPM	GPM per RPM	Max. Press. PSI	BPD	GPM	BPD	GPM	BPD	GPM	BPD	GPM	BPD	GPM	BPD	GPM
308T-7XL (HP360XL)	5.750	25.9672	82.3820	2.4028	747	8239	240.3	10957	319.6	13676	398.9	16395	478.2	19113	557.5	21832	636.7
	5.500	23.7583	75.3741	2.1984	817	7538	219.8	10025	292.4	12513	364.9	15000	437.5	17487	510.0	19975	582.6
	5.250	21.6475	68.6776	2.0031	896	6868	200.3	9135	266.4	11401	332.5	13667	398.6	15934	464.7	18200	530.8
	5.000	19.6349	62.2926	1.8169	988	6230	181.7	8285	241.6	10341	301.6	12397	361.6	14452	421.5	16508	481.5
	4.750	17.7205	56.2191	1.6397	1095	5622	164.0	7478	218.1	9333	272.2	11188	326.3	13043	380.4	14899	434.5
4.500	15.9043	50.4570	1.4717	1220	5046	147.2	6711	195.7	8376	244.3	10041	292.9	11707	341.4	13372	390.0	
308T-7L (HP360AL)	4.250	14.1862	45.0064	1.3127	1368	4501	131.3	5986	174.6	7472	217.9	8957	261.2	10442	304.5	11927	347.9
	4.125	13.3640	42.3979	1.2366	1452	4240	123.7	5639	164.5	7039	205.3	8438	246.1	9837	286.9	11236	327.7
	4.000	12.5664	39.8673	1.1628	1544	3987	116.3	5303	154.7	6618	193.0	7934	231.4	9250	269.8	10565	308.1
	3.875	11.7932	37.4145	1.0913	1645	3742	109.1	4977	145.1	6211	181.1	7446	217.2	8681	253.2	9915	289.2
	3.750	11.0447	35.0396	1.0220	1757	3504	102.2	4661	135.9	5817	169.7	6973	203.4	8130	237.1	9286	270.8
	3.625	10.3206	32.7426	0.9550	1880	3275	95.5	4355	127.0	5436	158.5	6516	190.0	7597	221.6	8677	253.1
	3.500	9.6211	30.5234	0.8903	2016	3053	89.0	4060	118.4	5067	147.8	6075	177.2	7082	206.5	8089	235.9
	3.375	8.9462	28.3821	0.8278	2169	2839	82.8	3775	110.1	4712	137.4	5649	164.7	6585	192.1	7522	219.4
	3.250	8.2958	26.3186	0.7676	2339	2632	76.8	3501	102.1	4369	127.4	5238	152.8	6106	178.1	6975	203.4
	3.125	7.6699	24.3331	0.7097	2529	2434	71.0	3237	94.4	4040	117.8	4843	141.2	5646	164.7	6449	188.1
3.000	7.0686	22.4253	0.6541	2745	2243	65.4	2983	87.0	3723	108.6	4463	130.2	5203	151.7	5943	173.3	
308T-7M (HP360AM)	2.875	6.4918	20.5955	0.6007	2988	2060	60.1	2740	79.9	3419	99.7	4099	119.5	4779	139.4	5458	159.2
	2.750	5.9396	18.8435	0.5496	3266	1885	55.0	2507	73.1	3129	91.2	3750	109.4	4372	127.5	4994	145.6
	2.500	4.9087	15.5732	0.4542	3600	1558	45.4	2072	60.4	2586	75.4	3100	90.4	3613	105.4	4127	120.4
	2.250	3.9761	12.6143	0.3679	3600	1262	36.8	1678	48.9	2094	61.1	2511	73.2	2927	85.4	3343	97.5
	2.125	3.5466	11.2516	0.3282	5470	1126	32.8	1497	43.6	1868	54.5	2240	65.3	2611	76.1	2982	87.0
308T-7H (HP360H)	2.000	3.1416	9.9668	0.2907	6170	997	29.1	1326	38.7	1655	48.3	1984	57.8	2313	67.4	2642	77.0
	1.875	2.7612	8.7599	0.2555	6170	876	25.5	1166	34.0	1455	42.4	1744	50.8	2033	59.3	2322	67.7
	1.750	2.4053	7.6308	0.2226	6170	764	22.3	1665	29.6	1267	36.9	1519	44.3	1771	51.6	2023	59.0
	Brake Horsepower Required					117		155		194		232		270		308	

PUMP	Metric Units					100 * RPM		133 RPM		166 RPM		199 RPM		232 RPM		265 RPM	
	Plunger Dia. mm	Plunger Area cm ²	M ³ /Hr per RPM	L/Sec. per RPM	Max. Press. kPa	M ³ /Hr	L/Sec.	M ³ /Hr	L/Sec.	M ³ /Hr	L/Sec.	M ³ /Hr	L/Sec.	M ³ /Hr	L/Sec.	M ³ /Hr	L/Sec.
308T-7XL (HP360XL)	146	167.530	0.5457	0.1516	5151	54.6	15.2	72.6	20.2	90.6	25.2	108.6	30.2	126.6	35.2	144.6	40.2
	140	153.279	0.4993	0.1387	5630	49.9	13.9	66.4	18.4	82.9	23.0	99.4	27.6	115.8	32.2	132.3	36.8
	133	139.661	0.4549	0.1264	6179	45.5	12.6	60.5	16.8	75.5	21.0	90.5	25.1	105.5	29.3	120.5	33.5
	127	126.677	0.4126	0.1146	6812	41.3	11.5	54.9	15.2	68.5	19.0	82.1	22.8	95.7	26.6	109.3	30.4
	121	114.326	0.3724	0.1035	7548	37.2	10.3	49.5	13.8	61.8	17.2	74.1	20.6	86.4	24.0	98.7	27.4
114	102.608	0.3342	0.0928	8410	33.4	9.3	44.5	12.3	55.5	15.4	66.5	18.5	77.5	21.5	88.6	24.6	
308T-7L (HP360AL)	108	91.524	0.2981	0.0828	9429	29.8	8.3	39.6	11.0	49.5	13.7	59.3	16.5	69.2	19.2	79.0	21.9
	105	86.219	0.2808	0.0780	10009	28.1	7.8	37.4	10.4	46.6	13.0	55.9	15.5	65.2	18.1	74.4	20.7
	102	81.073	0.2641	0.0734	10644	26.4	7.3	35.1	9.8	43.8	12.2	52.6	14.6	61.3	17.0	70.0	19.4
	98	76.085	0.2478	0.0688	11342	24.8	6.9	33.0	9.2	41.1	11.4	49.3	13.7	57.5	16.0	65.7	18.2
	95	71.256	0.2321	0.0645	12111	23.2	6.4	30.9	8.6	38.5	10.7	46.2	12.8	53.8	15.0	61.5	17.1
	92	66.584	0.2169	0.0603	12960	21.7	6.0	28.8	8.0	36.0	10.0	43.2	12.0	50.3	14.0	57.5	16.0
	89	62.072	0.2022	0.0562	13903	20.2	5.6	26.9	7.5	33.6	9.3	40.2	11.2	46.9	13.0	53.6	14.9
	86	57.717	0.1880	0.0522	14952	18.8	5.2	25.0	6.9	31.2	8.7	37.4	10.4	43.6	12.1	49.8	13.8
	83	53.521	0.1743	0.0484	16124	17.4	4.8	23.2	6.4	28.9	8.0	34.7	9.6	40.4	11.2	46.2	12.8
	79	49.483	0.1612	0.0448	17439	16.1	4.5	21.4	6.0	26.8	7.4	32.1	8.9	37.4	10.4	42.7	11.9
308T-7M (HP360AM)	76	45.604	0.1485	0.0413	18923	14.9	4.1	19.8	5.5	24.7	6.9	29.6	8.2	34.5	9.6	39.4	10.9
	73	41.883	0.1364	0.0379	20604	13.6	3.8	18.1	5.0	22.6	6.3	27.1	7.5	31.6	8.8	36.2	10.0
	70	38.320	0.1248	0.0347	22520	12.5	3.5	16.6	4.6	20.7	5.8	24.8	6.9	29.0	8.0	33.1	9.2
	64	31.669	0.1032	0.0287	24821	10.3	2.9	13.7	3.8	17.1	4.8	20.5	5.7	23.9	6.6	27.3	7.6
	57	25.652	0.0836	0.0232	24821	8.4	2.3	11.1	3.1	13.9	3.9	16.6	4.6	19.4	5.4	22.1	6.2
308T-7H (HP360H)	54	22.881	0.0745	0.0207	37715	7.5	2.1	9.9	2.8	12.4	3.4	14.8	4.1	17.3	4.8	19.7	5.5
	51	20.268	0.0660	0.0183	42542	6.6	1.8	8.8	2.4	11.0	3.0	13.1	3.6	15.3	4.3	17.5	4.9
	48	17.814	0.0580	0.0161	42542	5.8	1.6	7.7	2.1	9.6	2.7	11.5	3.2	13.5	3.7	15.4	4.3
	44	15.518	0.0505	0.0140	42542	5.1	1.4	6.7	1.9	8.4	2.3	10.1	2.8	11.7	3.3	13.4	3.7
	Kilowatts Required					87		116		145		173		201		230	

Volumetric Rate is based on 100% Volumetric Efficiency. Brake Horsepower/Kilowatts Required is based on 90% Mechanical Efficiency. *Operation below 150 RPM requires an "optional" externally-mounted auxiliary lubrication system.

The information and data on this sheet is accurate to the best of our knowledge and belief, but are intended for general information only. Applications suggested for the materials are described only to help readers make their own evaluations and decisions, and are neither guarantees nor to be construed as express or implied warranties of suitability for these or other applications. National Oilwell makes no warranty either express or implied beyond that stipulated in National Oilwell Standard Terms and Conditions of Sale.



P.O. BOX 123 * ADA * MI 49301 * USA
 PHONE 800.544.9053 * FAX 888.796.2653 *
 email: info@gaso.com
 On the Web at www.gaso.com

