

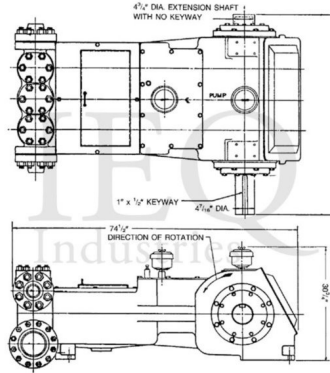
## Gaso, T200-4, Triplex, Plunger Pump

### Pumps in this series

- [T200-2](#)
- [T200-3](#)
- [T200-4](#)

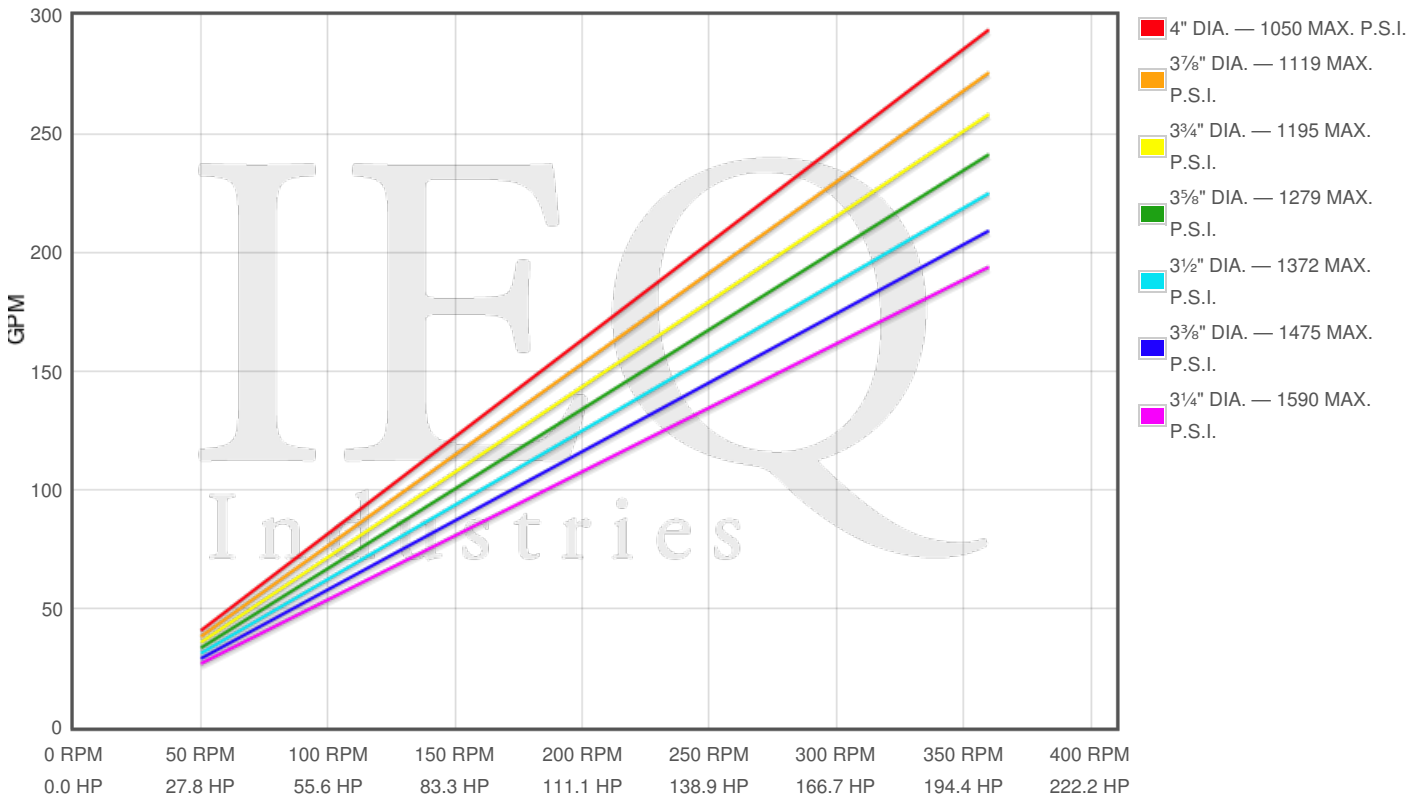
### Specs

Spec	U.S. Standard
Type:	triplex
Minimum Plunger Diameter:	3 1/4"
Maximum Plunger Diameter:	4"
Stroke length:	5"
Maximum Working Pressure:	1,590 PSI
Rod/Piston Load:	13200lb
Gallons per Minute:	293.8
Barrels per Day:	10073
Brake Horse Power:	200.0



### Pump Curves

Hover over Power Curves to reveal RPM and GPM



### Performance Data Table

Pump	English Units					50 RPM		150 RPM		250 RPM		350 RPM		360 RPM	
	Plunger Dia. In.	Plunger Area Sq. In.	BPD per RPM	GPM per RPM	Max Press. PSI	BPD	GPM	BPD	GPM	BPD	GPM	BPD	GPM	BPD	GPM
T200-4	4.000	12.5664	27.977	0.8160	1050	1399	41	4197	122	6994	204	9792	286	10072	294
	3.875	11.7932	26.256	0.7658	1119	1313	38	3938	115	6564	191	9190	268	9452	276
	3.750	11.0447	24.589	0.7172	1195	1230	36	3688	108	6147	179	8606	251	8852	258
	3.625	10.3206	22.977	0.6702	1279	1149	34	3447	101	5744	168	8042	235	8272	241
	3.500	9.6211	21.420	0.6247	1372	1071	31	3213	94	5355	156	7497	219	7711	225
	3.375	8.9462	19.917	0.5809	1475	996	29	2988	87	4979	145	6971	203	7170	209
	3.250	8.2958	18.469	0.5387	1590	923	27	2770	81	4617	135	6464	189	6649	194

## Disclaimer I

---

This website is intended as a reference tool only. It has been constructed from published data that is based on manufacturer's sales and engineering documents that are either current, historical and obsolete. Much of the machinery data contained herein has been re-rated through the years with different engineering criteria which maybe in conflict with legacy data. Much of the content published here is calculated online with the use of dynamic data using formulas and extrapolations considered to be sound engineering formulas and are correct to the degree that the data used is accurate. We have done our best to be as precise as as possible in this posting but do not represent any of the calculations or performance data to be entirely accurate. The data published here is intended to be general information rather than actual and to serve as a reference rather than a technical absolute. The user of such data should confirm such information independently.

---

### Copyright and Disclaimers

WheatleyGas.com is your resource for Gaso pumps, Gaso pump parts and a supplier of ORIGINAL GASO PARTS and equipment, new used and remanufactured Wheatley, GASO and Wheatley/GASO plunger and piston pumps and pump parts and is not affiliated with Wheatley/GASO Inc. or its parent company, National Oilwell Varco, p Copyright ©2017, IntelIQ Holdings, LLC. All rights reserved, \*Used under license from IntelIQ Holdings, LLC.