

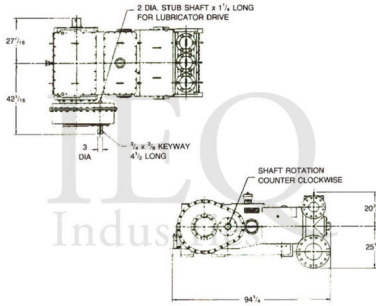
## Gaso, T450-4, Triplex, Plunger Pump

### Pumps in this series

- [T450-3](#)
- [T450-4](#)
- [T450-5](#)
- [T450-7](#)

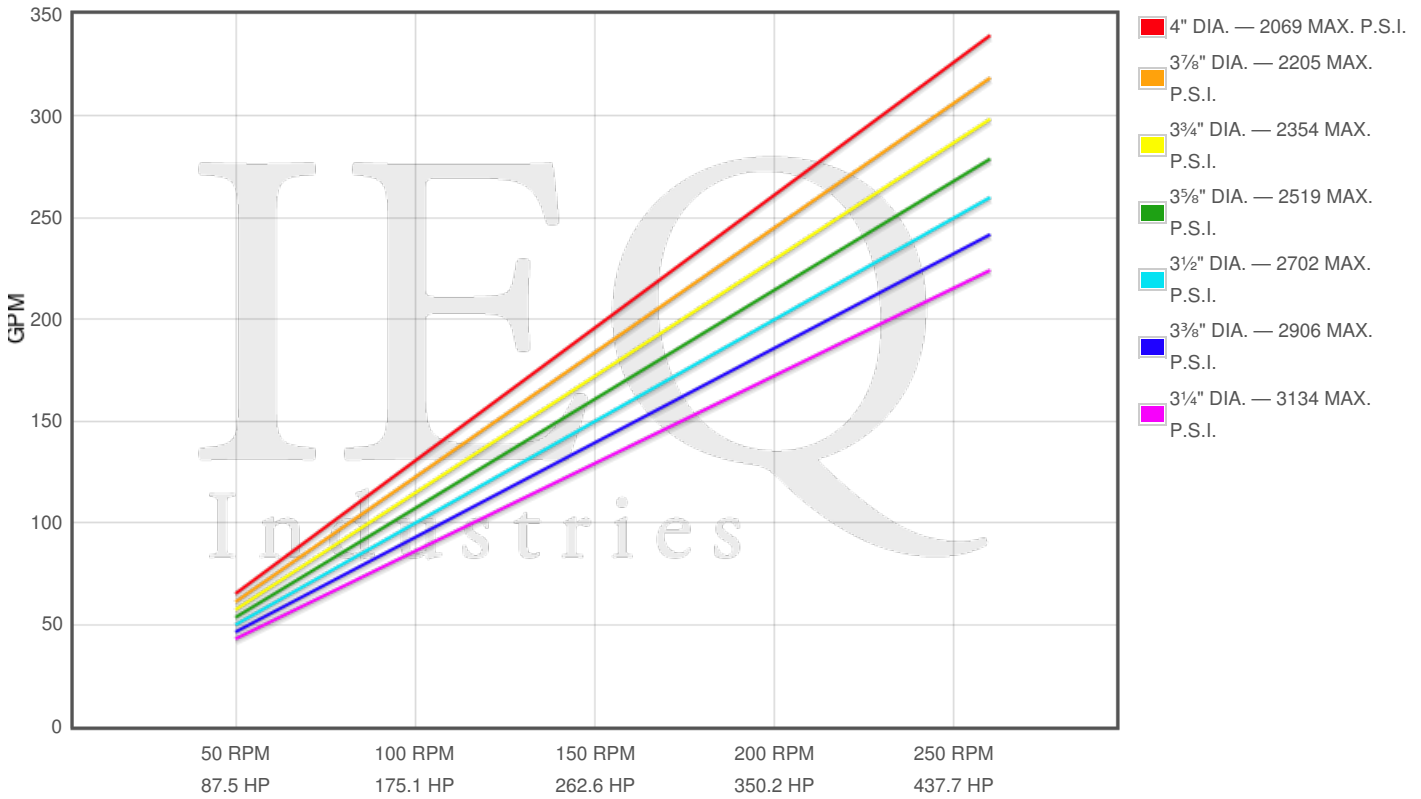
### Specs

Spec	U.S. Standard
Type:	triplex
Minimum Plunger Diameter:	3 1/4"
Maximum Plunger Diameter:	4"
Stroke length:	8"
Maximum Working Pressure:	3,135 PSI
Rod/Piston Load:	26000lb
Gallons per Minute:	339.0
Barrels per Day:	11623
Brake Horse Power:	455.0



### Pump Curves

Hover over Power Curves to reveal RPM and GPM



### Performance Data Table

Pump	English Units					50 RPM		150 RPM		250 RPM		260 RPM	
	Plunger Dia. In.	Plunger Area Sq. In.	BPD per RPM	GPM per RPM	Max Press. PSI	BPD	GPM	BPD	GPM	BPD	GPM	BPD	GPM
T450-4	4.000	12.5664	44.763	1.3056	2069	2238	65	6715	196	11191	326	11638	339
	3.875	11.7932	42.009	1.2253	2205	2101	61	6301	184	10502	306	10922	319
	3.750	11.0447	39.343	1.1475	2354	1967	57	5901	172	9836	287	10229	298
	3.625	10.3206	36.764	1.0723	2519	1838	54	5515	161	9191	268	9559	279
	3.500	9.6211	34.272	0.9996	2702	1714	50	5141	150	8568	250	8911	260
	3.375	8.9462	31.868	0.9295	2906	1593	46	4780	139	7967	232	8286	242
	3.250	8.2958	29.551	0.8619	3134	1478	43	4433	129	7388	215	7683	224

## Disclaimer I

---

This website is intended as a reference tool only. It has been constructed from published data that is based on manufacturer's sales and engineering documents that are either current, historical and obsolete. Much of the machinery data contained herein has been re-rated through the years with different engineering criteria which maybe in conflict with legacy data. Much of the content published here is calculated online with the use of dynamic data using formulas and extrapolations considered to be sound engineering formulas and are correct to the degree that the data used is accurate. We have done our best to be as precise as as possible in this posting but do not represent any of the calculations or performance data to be entirely accurate. The data published here is intended to be general information rather than actual and to serve as a reference rather than a technical absolute. The user of such data should confirm such information independently.

---

### Copyright and Disclaimers

WheatleyGas.com is your resource for Gaso pumps, Gaso pump parts and a supplier of ORIGINAL GASO PARTS and equipment, new used and remanufactured Wheatley, GASO and Wheatley/GASO plunger and piston pumps and pump parts and is not affiliated with Wheatley/GASO Inc. or its parent company, National Oilwell Varco, Copyright ©2024 IEQ Industries, a Gallagher Fluid Handling Company. All rights reserved, \*Used under license from IntelleQ Holdings, LLC.