

Gaso, 3581-L, Triplex, Plunger Pump

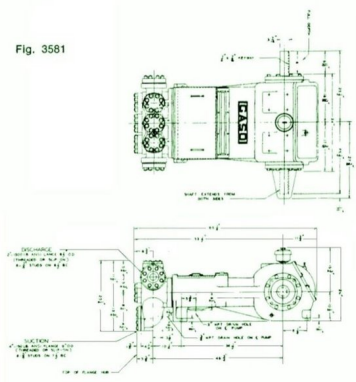
Pumps in this series

[3581-L](#)

[3581-S](#)

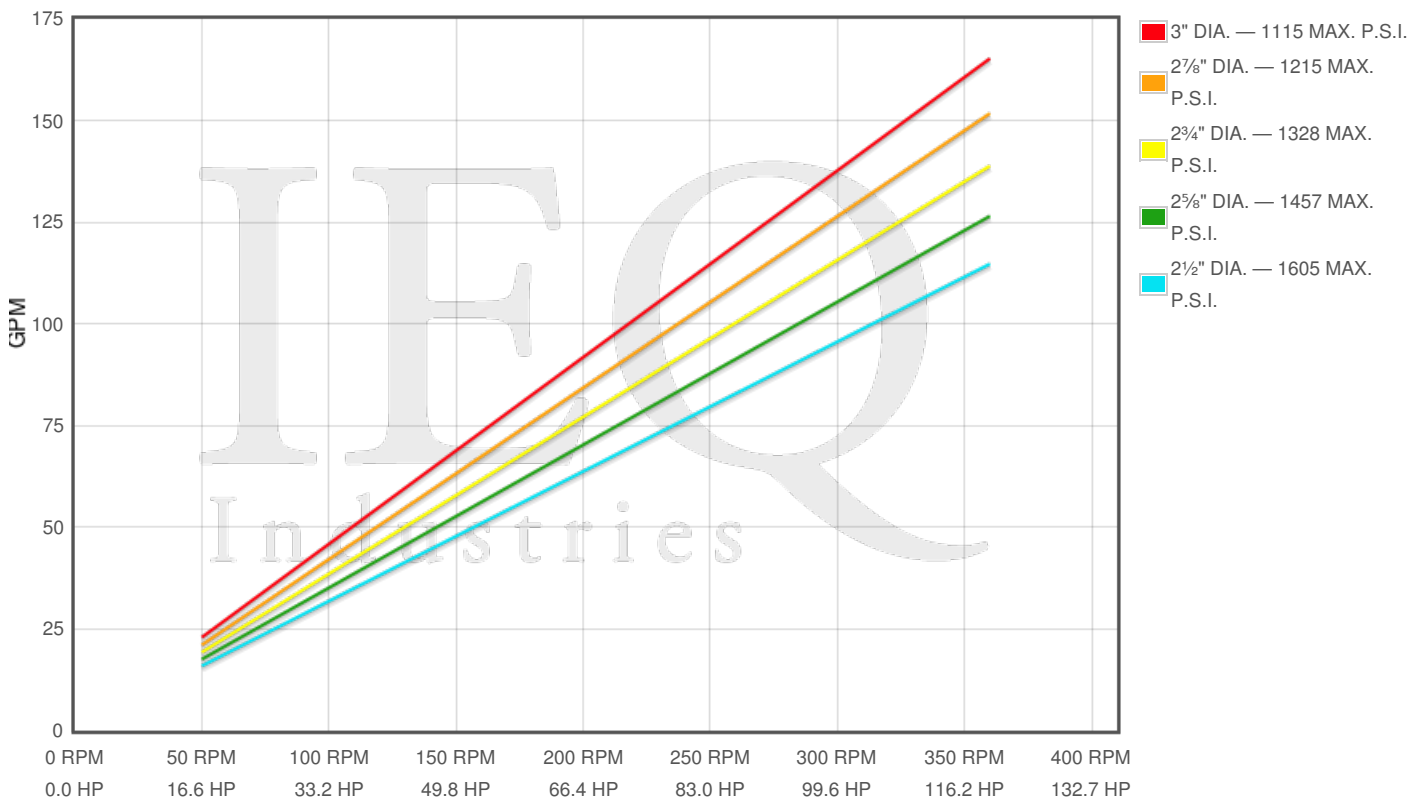
Specs

Spec	U.S. Standard
Type:	triplex
Minimum Plunger Diameter:	2½"
Maximum Plunger Diameter:	3"
Stroke length:	5"
Maximum Working Pressure:	1,605 PSI
Rod/Piston Load:	7885lb
Gallons per Minute:	165.2
Barrels per Day:	5664
Brake Horse Power:	119.0



Pump Curves

Hover over Power Curves to reveal RPM and GPM



Performance Data Table

Pump	English Units					50 RPM		150 RPM		250 RPM		350 RPM		360 RPM	
	Plunger Dia. In.	Plunger Area Sq. In.	BPD per RPM	GPM per RPM	Max Press. PSI	BPD	GPM	BPD	GPM	BPD	GPM	BPD	GPM	BPD	GPM
3581-L	3.000	7.0686	15.737	0.4590	1115	787	23	2361	69	3934	115	5508	161	5665	165
	2.875	6.4918	14.453	0.4215	1215	723	21	2168	63	3613	105	5059	148	5203	152
	2.750	5.9396	13.224	0.3857	1328	661	19	1984	58	3306	96	4628	135	4761	139
	2.625	5.4119	12.049	0.3514	1457	602	18	1807	53	3012	88	4217	123	4338	127
	2.500	4.9087	10.929	0.3187	1605	546	16	1639	48	2732	80	3825	112	3934	115

Features/Benefits

GASO TRIPLEX PLUNGER PUMPS

Ratings published here in are intended to be used only for preliminary planning purposes, and as such carried no warranties whatsoever. All applications for gas opines must be approved in writing. THE INFORMATION CONTAINED HERE IS TRANSCRIBED FROM A GASO TECHNICAL MANUAL FROMM THE 1960s - 70s. IEQ INDUSTRIES OR THE CUSTODIANS OF THIS WEBSITE ARE NOT RESPONSIBLE FOR ITS CONTENT.

GASO pumps are engineered to deliver the book plus values which have distinguished GASO pumps for over 60 years and to provide longer life and lower

maintenance costs. Important design features include:

Power End Specifications

Power Frame. High-strength gray iron alloy casting with heavy wall sections well written to ensure rigid construction.

Crankshaft. Mounted with centerline of shaft on centerline of cross heads. Crankshaft may extend from either side of the pump.

Crankshaft Bearings. Interchangeable heavy-duty roller bearings.

Connecting Rods. All triplex plunger pumps are equipped with H type construction rods, with renewable Babbit lined steel backed shell bearings at the crank end and bronze bushings at crosshead end.

Crossheads. Figures 3088, and series 3200, 3300, 313, 3400, 3800, 3900, 3600 and 3700 pumps are furnished with cylindrical type high-strength alloy castings. Series 3500 pumps are furnished with semi-cylindrical typecasting. Cross head tends are hardened and ground steel.

Lubrication. All power and parts are lubricated by splash system from oil in the crankcase reservoir. Power frame has an oil return channel, from front of the cross heads back to the crankcase, to permit constant circulation of oil and to help keep oil cool. Positive power and lubrication is optional for series 3700 pumps.

Stuffing Boxes. Figures 3088 and series 3200, 3300, 3400, 3500, 3800, and 3900 pumps are furnished with double lip U-cup packings. Series 3630 700 pumps are furnished with a set of four non-crushable lip type packing rings.

Fluid End Specifications

FLUID END BODY. Alloys which are stocked our Molybdenum alloy iron for crude oil and freshwater service, and steel for pumping petroleum products in hazardous locations. Aluminum bronze alloys are used for salt water and other corrosive liquids. Special alloys such as Hastalloy C, Inconel or stainless steel can be furnished upon request.

VALVES. Figure 3211 and 3364 pumps are furnished standard with wing guided type valves and seats. Figures 3365, 3088 and series 3113, 3400, 3500, 3800, 3900, 3630 700 pumps are furnished with stem guided disk type valve assemblies.

CYLINDER HEADS AND VALVE COVERS. 3211 and 3364 pumps with aluminum bronze and Molybdenum alloy fluid ends have threaded valve covers and cylinder heads, all other our bolt on type.

PLUNGERS. Plunger materials are available in: file hard steel, colmonoy's surfaced steel, solid ceramic, and chrome plated steel.

STUFFING BOXES. All triplex pump boxes, with the exception of figures 3088, 3583, and series 3900, 3630 3700 pumps, are board directly into the fluid body. Stuffing boxes are for figures 3088, nerdy 3583 and series 3800, 3900, 3630 and 3700 pumps are replaceable type.

PACKING. Standard packing is a set of non-crushable lid tight packing rings. Other packing can be furnished for special applications.

PILUNGER LUBRICATION. Furnished by use of grip oilers or regulated flow of oil from a force-feed's lubricator. Lubricate or is mounted on the pump with separate oil lines to each plunger.

Disclaimer I

This website is intended as a reference tool only. It has been constructed from published data that is based on manufacturer's sales and engineering documents that are either current, historical and obsolete. Much of the machinery data contained herein has been re-rated through the years with different engineering criteria which maybe in conflict with legacy data. Much of the content published here is calculated online with the use of dynamic data using formulas and extrapolations considered to be sound engineering formulas and are correct to the degree that the data used is accurate. We have done our best to be as precise as as possible in this posting but do not represent any of the calculations or performance data to be entirely accurate. The data published here is intended to be general information rather than actual and to serve as a reference rather than a technical absolute. The user of such data should confirm such information independently.

Copyright and Disclaimers

WheatleyGas.com is your resource for Gaso pumps, Gaso pump parts and a supplier of ORIGINAL GASO PARTS and equipment, new used and remanufactured Wheatley, GASO and Wheatley/GASO plunger and piston pumps and pump parts and is not affiliated with Wheatley/GASO Inc. or its parent company, National Oilwell Varco, Copyright ©2024 IEQ Industries, a Gallagher Fluid Handling Company. All rights reserved, *Used under license from IntelleQ Holdings, LLC.