

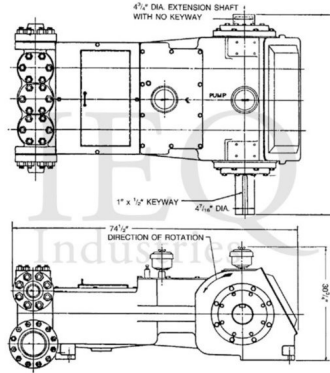
Gaso, T200-3, Triplex, Plunger Pump

Pumps in this series

- [T200-2](#)
- [T200-3](#)
- [T200-4](#)

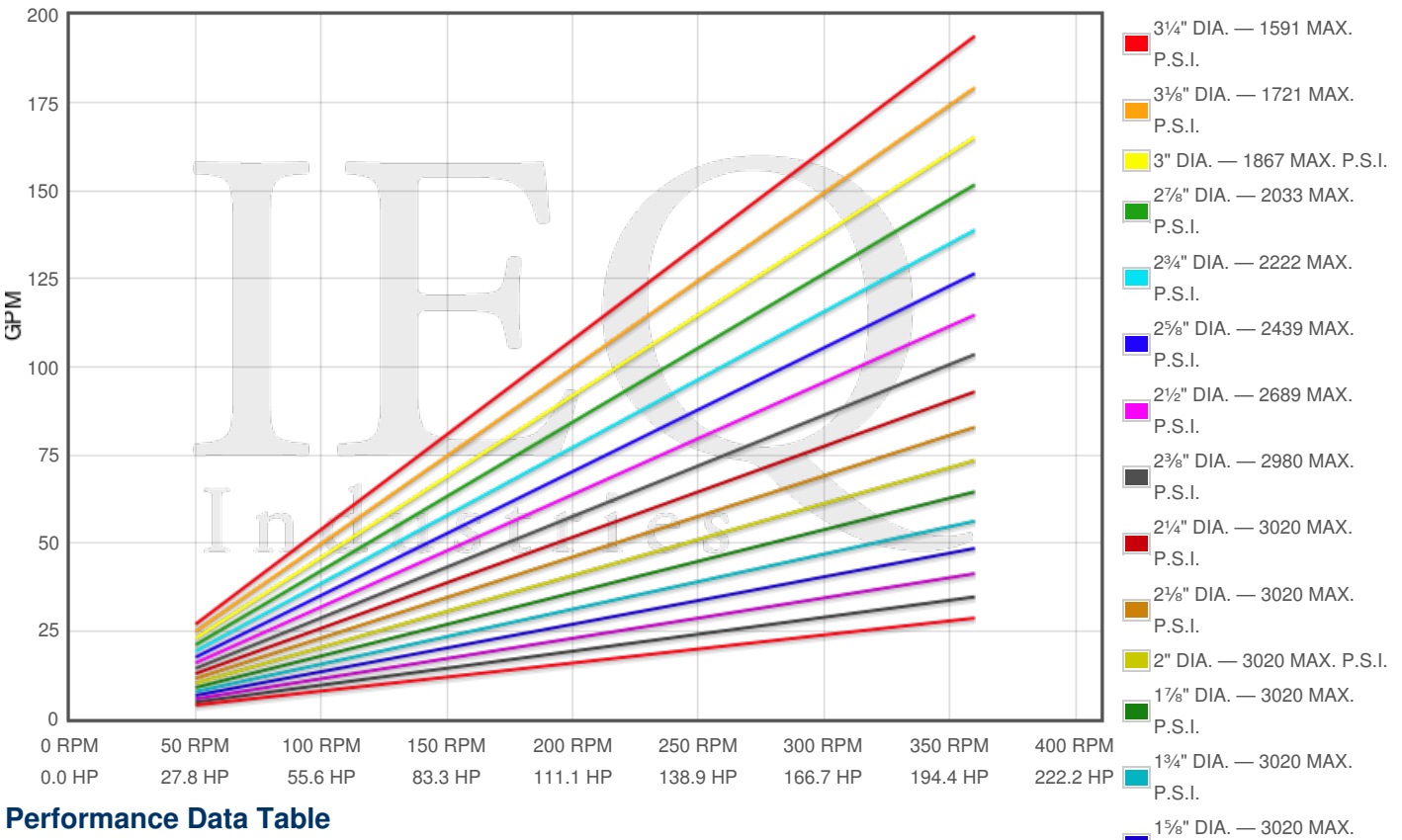
Specs

Spec	U.S. Standard
Type:	triplex
Minimum Plunger Diameter:	1 1/4"
Maximum Plunger Diameter:	3 1/4"
Stroke length:	5"
Maximum Working Pressure:	3,020 PSI
Rod/Piston Load:	13200lb
Gallons per Minute:	193.9
Barrels per Day:	6648
Brake Horse Power:	200.0



Pump Curves

Hover over Power Curves to reveal RPM and GPM



Performance Data Table

Pump	English Units					50 RPM		150 RPM		250 RPM		350 RPM		360 RPM	
	Plunger Dia. In.	Plunger Area Sq. In.	BPD per RPM	GPM per RPM	Max Press. PSI	BPD	GPM	BPD	GPM	BPD	GPM	BPD	GPM	BPD	GPM
T200-3	3.250	8.2958	18.469	0.5387	1591	923	27	2770	81	4617	133	5464	189	6649	194
	3.000	7.0686	15.737	0.4590	1867	787	23	2361	69	3934	115	5500	161	5065	165
	2.750	5.9396	13.224	0.3857	2222	661	19	1984	58	3306	96	4628	135	4761	139
	2.500	4.9087	10.929	0.3187	2689	546	16	1639	48	2732	80	3825	112	3934	115
	2.250	3.9761	8.852	0.2582	3020	443	13	1328	39	2213	65	3098	90	3187	93
	2.000	3.1416	6.994	0.2040	3020	350	10	1049	31	1749	51	2448	71	2518	73
	1.750	2.4053	5.355	0.1562	3020	268	8	803	23	1339	39	1874	55	1928	56
	1.500	1.7671	3.934	0.1147	3020	197	6	590	17	984	29	1377	40	1416	41
	1.250	1.2272	2.732	0.0797	3020	137	4	410	12	683	20	956	28	984	29

Disclaimer I

This website is intended as a reference tool only. It has been constructed from published data that is based on manufacturer's sales and engineering documents that are either current, historical and obsolete. Much of the machinery data contained herein has been re-rated through the years with different engineering criteria which maybe in conflict with legacy data. Much of the content published here is calculated online with the use of dynamic data using formulas and extrapolations considered to be sound engineering formulas and are correct to the degree that the data used is accurate. We have done our best to be as precise as as possible in this posting but do not represent any of the calculations or performance data to be entirely accurate. The data published here is intended to be general information rather than actual and to serve as a reference rather than a technical absolute. The user of such data should confirm such information independently.

Copyright and Disclaimers

WheatleyGas.com is your resource for Gaso pumps, Gaso pump parts and a supplier of ORIGINAL GASO PARTS and equipment, new used and remanufactured Wheatley, GASO and Wheatley/GASO plunger and piston pumps and pump parts and is not affiliated with Wheatley/GASO Inc. or its parent company, National Oilwell Varco, Copyright ©2024 IEQ Industries, a Gallagher Fluid Handling Company. All rights reserved, *Used under license from IntelleQ Holdings, LLC.