

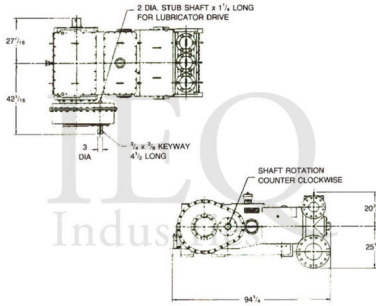
Gaso, T450-5, Triplex, Plunger Pump

Pumps in this series

- [T450-3](#)
- [T450-4](#)
- [T450-5](#)
- [T450-7](#)

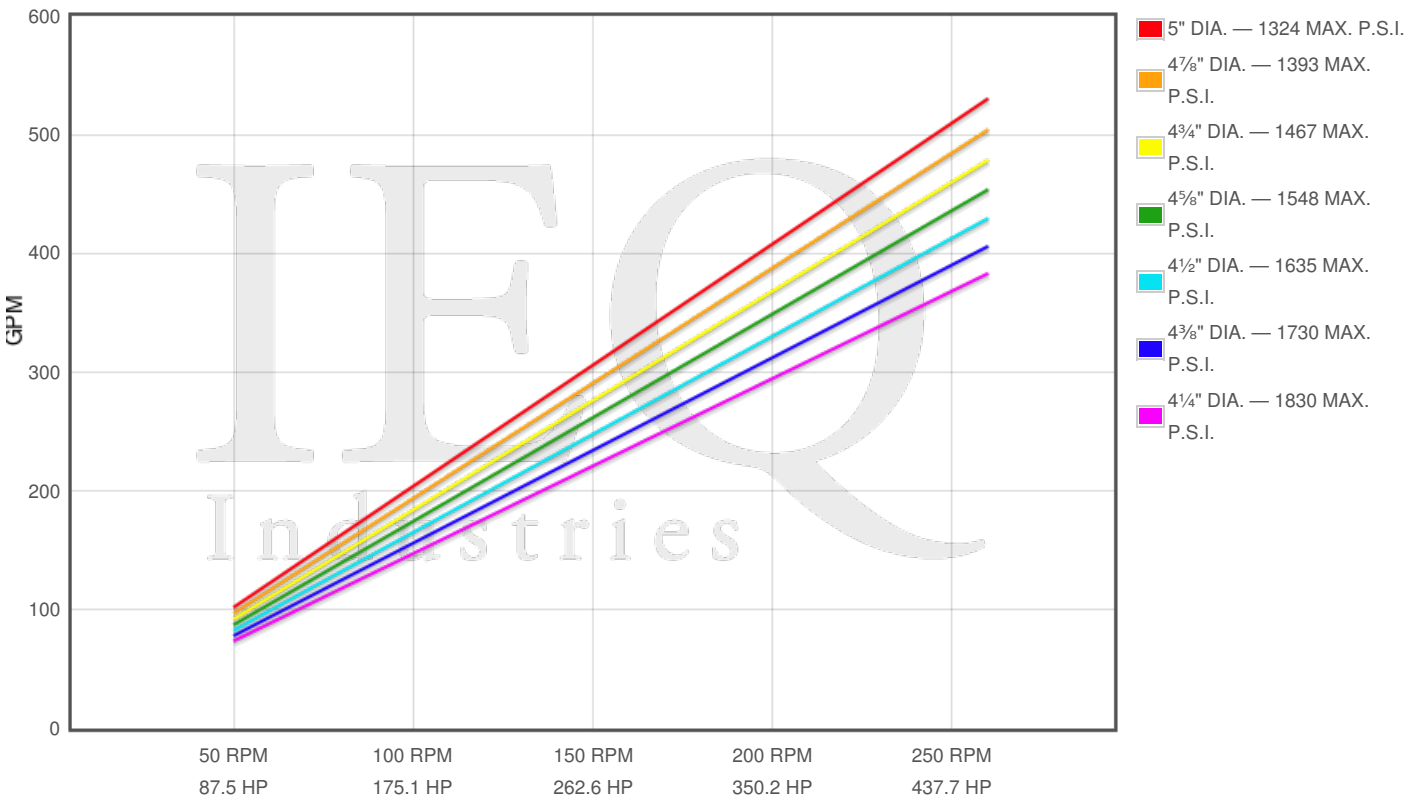
Specs

Spec	U.S. Standard
Type:	triplex
Minimum Plunger Diameter:	4 1/4"
Maximum Plunger Diameter:	5"
Stroke length:	8"
Maximum Working Pressure:	1,830 PSI
Rod/Piston Load:	26000lb
Gallons per Minute:	530.0
Barrels per Day:	18171
Brake Horse Power:	455.0



Pump Curves

Hover over Power Curves to reveal RPM and GPM



Performance Data Table

Pump	English Units					50 RPM		150 RPM		250 RPM		260 RPM	
	Plunger Dia. In.	Plunger Area Sq. In.	BPD per RPM	GPM per RPM	Max Press. PSI	BPD	GPM	BPD	GPM	BPD	GPM	BPD	GPM
T450-5	5.000	19.6350	69.943	2.0400	1324	3497	102	10491	306	17486	510	18185	530
	4.875	18.6655	66.489	1.9393	1393	3325	97	9973	291	16622	485	17287	504
	4.750	17.7205	63.123	1.8411	1467	3156	92	9469	276	15781	460	16412	479
	4.625	16.8002	59.845	1.7455	1548	2992	87	8977	262	14961	436	15560	454
	4.500	15.9043	56.654	1.6524	1635	2833	83	8498	248	14163	413	14730	430
	4.375	15.0330	53.550	1.5619	1730	2678	78	8033	234	13387	390	13923	406
	4.250	14.1863	50.534	1.4739	1830	2527	74	7580	221	12633	368	13139	383

Disclaimer I

This website is intended as a reference tool only. It has been constructed from published data that is based on manufacturer's sales and engineering documents that are either current, historical and obsolete. Much of the machinery data contained herein has been re-rated through the years with different engineering criteria which maybe in conflict with legacy data. Much of the content published here is calculated online with the use of dynamic data using formulas and extrapolations considered to be sound engineering formulas and are correct to the degree that the data used is accurate. We have done our best to be as precise as as possible in this posting but do not represent any of the calculations or performance data to be entirely accurate. The data published here is intended to be general information rather than actual and to serve as a reference rather than a technical absolute. The user of such data should confirm such information independently.

Copyright and Disclaimers

WheatleyGas.com is your resource for Gaso pumps, Gaso pump parts and a supplier of ORIGINAL GASO PARTS and equipment, new used and remanufactured Wheatley, GASO and Wheatley/GASO plunger and piston pumps and pump parts and is not affiliated with Wheatley/GASO Inc. or its parent company, National Oilwell Varco, p Copyright ©2017, IntelIQ Holdings, LLC. All rights reserved, *Used under license from IntelIQ Holdings, LLC.