

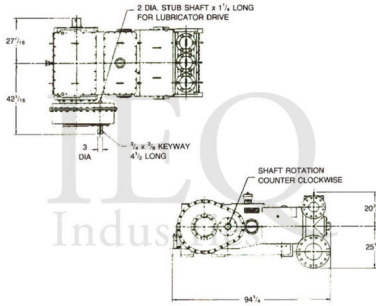
Gaso, T450-7, Triplex, Plunger Pump

Pumps in this series

- [T450-3](#)
- [T450-4](#)
- [T450-5](#)
- [T450-7](#)

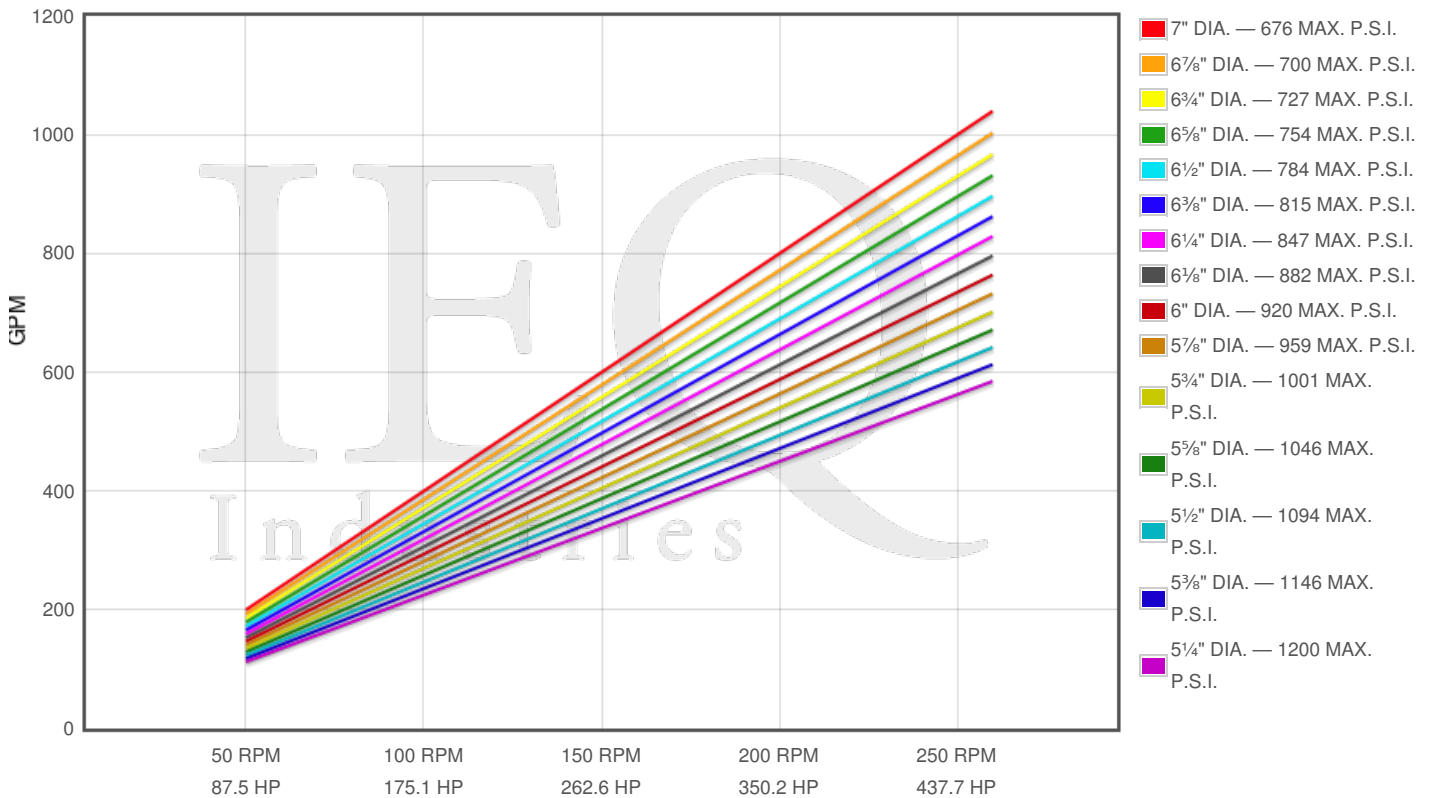
Specs

Spec	U.S. Standard
Type:	triplex
Minimum Plunger Diameter:	5 1/4"
Maximum Plunger Diameter:	7"
Stroke length:	8"
Maximum Working Pressure:	1,200 PSI
Rod/Piston Load:	26000lb
Gallons per Minute:	1040.0
Barrels per Day:	35657
Brake Horse Power:	455.0



Pump Curves

Hover over Power Curves to reveal RPM and GPM



Performance Data Table

Pump	English Units					50 RPM		150 RPM		250 RPM		260 RPM	
	Plunger Dia. In.	Plunger Area Sq. In.	BPD per RPM	GPM per RPM	Max Press. PSI	BPD	GPM	BPD	GPM	BPD	GPM	BPD	GPM
T450-7	7.000	38.4845	137.088	3.9984	676	6854	200	20563	600	34272	1000	35643	1040
	6.750	35.7847	127.471	3.7179	727	6374	186	19121	558	31868	929	33142	967
	6.500	33.1831	118.203	3.4476	784	5910	172	17730	517	29551	862	30733	896
	6.250	30.6796	109.285	3.1875	847	5464	159	16393	478	27321	797	28414	829
	6.000	28.2743	100.717	2.9376	920	5036	147	15108	441	25179	734	26187	764
	5.750	25.9672	92.499	2.6979	1001	4625	135	13875	405	23125	674	24050	701
	5.500	23.7583	84.631	2.4684	1094	4232	123	12695	370	21158	617	22004	642
	5.250	21.6475	77.112	2.2491	1200	3856	112	11567	337	19278	562	20049	585

Disclaimer I

This website is intended as a reference tool only. It has been constructed from published data that is based on manufacturer's sales and engineering documents that are either current, historical and obsolete. Much of the machinery data contained herein has been re-rated through the years with different engineering criteria which maybe in conflict with legacy data. Much of the content published here is calculated online with the use of dynamic data using formulas and extrapolations considered to be sound engineering formulas and are correct to the degree that the data used is accurate. We have done our best to be as precise as as possible in this posting but do not represent any of the calculations or performance data to be entirely accurate. The data published here is intended to be general information rather than actual and to serve as a reference rather than a technical absolute. The user of such data should confirm such information independently.

Copyright and Disclaimers

WheatleyGas.com is your resource for Gaso pumps, Gaso pump parts and a supplier of ORIGINAL GASO PARTS and equipment, new used and remanufactured Wheatley, GASO and Wheatley/GASO plunger and piston pumps and pump parts and is not affiliated with Wheatley/GASO Inc. or its parent company, National Oilwell Varco, p Copyright ©2017, IntelIQ Holdings, LLC. All rights reserved, *Used under license from IntelIQ Holdings, LLC.